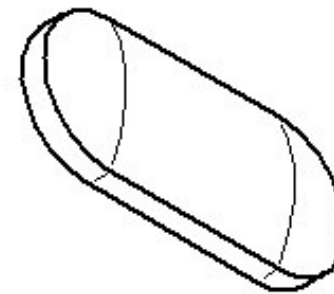
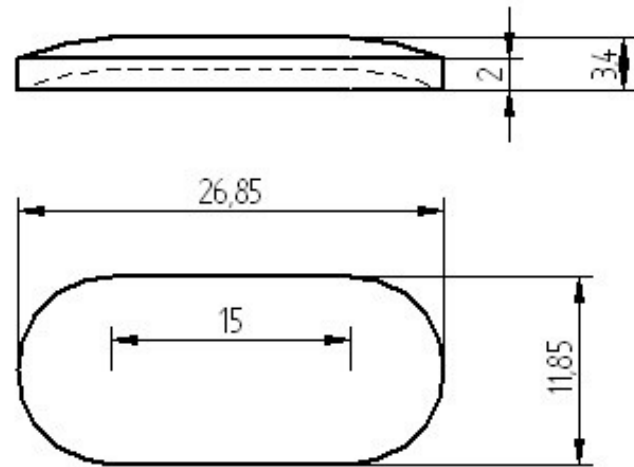


IDENTIFIED			
NO.	DESCRIPTION	DATE	BY



5:1

FILE	DATE	DESCRIPTION	BY

**SOLID EDGE**  
 URS - The PLM Company

FILED: PRODUCTION CONTROL APPROVED: JACOB J. BLOOMBERG DATE: 04/15/10 2 FL 4000 5 FL 4000	SEC. WORK NO. PROJECT: 10017000-1000-0001 U.S.G.    VORTEL    (SEC.) 07
--	--